

WHATLEY COMPOSITE SPORTS POLES

HIGH-STRENGTH STRUCTURES FOR
ATHLETIC FIELD LIGHTING



A **valmont**  BRAND

whatley.com



WHATLEY

Sports Lighting Poles

All-star composite structures

Whatley's rugged, durable composite poles are a result of decades of development and refinement of fiberglass-construction processes and technology. The product manufacturing process and robust engineering ensures these proven performers provide a long service life.

Sporting venues require exceptional lighting for ideal visibility by players and fans alike. Available in mounting heights up to 90 feet, Whatley structures are ideal for sports fields, ballparks, hike and bike trails, and other outdoor recreational facilities.



Product Performance

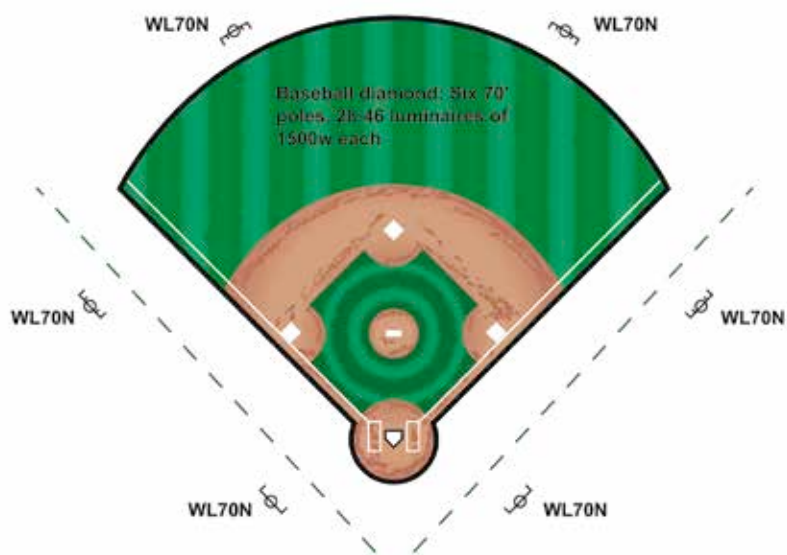
Superb UV Protection - Multi-layer design preserves, protects

Whatley takes a systematic approach to UV protection, and formulates UV inhibitors into the liquid resin mixture from the beginning of the production process. The outer shell of the pole then is covered with a tightly woven polyester veil that is saturated with a UV-inhibitor. This veil provides a resin-rich surface that controls blooming. In post-production, the finished product receives an exterior coating of our high-performance, UV-protective urethane finish.

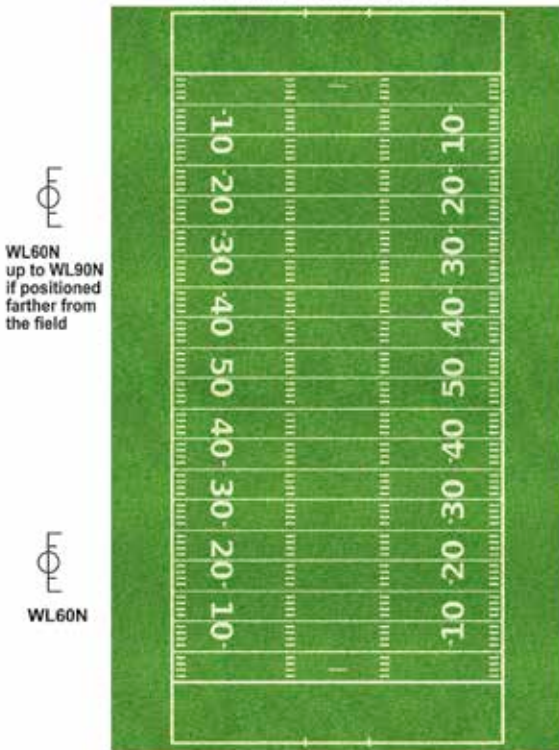
Product performance is verified by extensive accelerated testing which demonstrates Whatley poles can easily handle what nature dishes out for decades.

Whatley Sports Light Poles Championship Quality

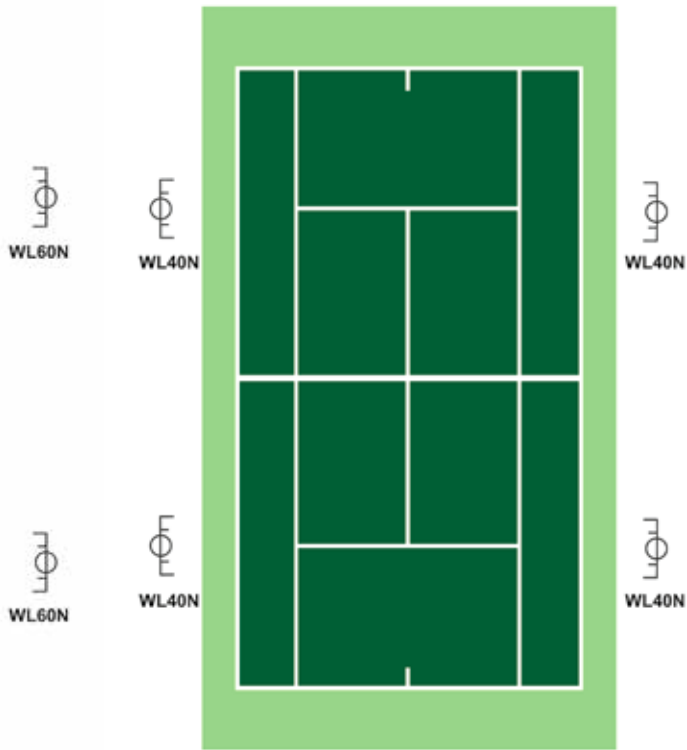
Engineering and crafting fiberglass-reinforced structures for more than 4 decades, Whatley is a proven provider of durable composite light poles. Choose from a great selection of standard sports-lighting poles or connect with our technical team to create a one-of-a-kind custom composite structure.



Football Field: Four 60' - 90' poles, 32-68 luminaires of 1500w each



Tennis Court: Four 40' poles, 8-12 luminaires of 1500w each

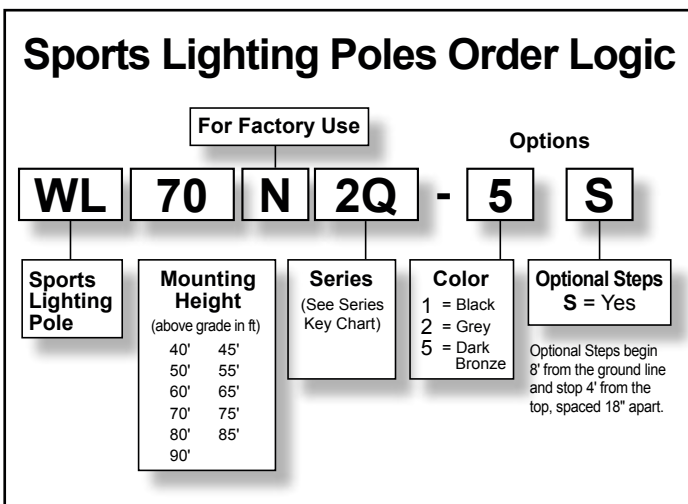


Sports Lighting Poles Series

by EPA and Wind Zone Requirements

Maximum height is 90' unless otherwise stated. EPA is in square feet.

WITHOUT HANDHOLE					
	90 MPH	100 MPH	110 MPH	120 MPH	130 MPH
20 EPA	2C	3C	4C	5C	6C
30 EPA	2E	3E	4E	5E	6E (85' max.)
40 EPA	2G	3G	4G	5G (85' max.)	6G (80' max.)
50 EPA	2J	3J	4J	5J (80' max.)	6J (75' max.)
60 EPA	2L	3L	4L (80' max.)	5L (75' max.)	6L (75' max.)
70 EPA	2N	3N (85' max.)	4N (80' max.)	5N (75' max.)	6N (75' max.)
80 EPA	2Q	3Q (80' max.)	4Q (75' max.)	5Q (70' max.)	6Q (65' max.)
90 EPA	2R (85' max.)	3R (80' max.)	4R (70' max.)	5R (65' max.)	6R (60' max.)
100 EPA	2T (80' max.)	3T (75' max.)	4T (70' max.)	5T (60' max.)	6T (55' max.)
110 EPA	2V (80' max.)	3V (75' max.)	4V (65' max.)	5V (60' max.)	6V (50' max.)
120 EPA	2X (75' max.)	3X (70' max.)	4X (60' max.)	5X (55' max.)	6X (50' max.)



KEY TO SERIES NOMENCLATURE	
WIND ZONES	EPA RATINGS
2 = 90 MPH	C = 20 EPA
3 = 100 MPH	E = 30 EPA
4 = 110 MPH	G = 40 EPA
5 = 120 MPH	J = 50 EPA
6 = 130 MPH	L = 60 EPA
9 = OTHER	N = 70 EPA
(Contact Factory for Wind Zones Above 130 MPH)	Q = 80 EPA
	R = 90 EPA
	T = 100 EPA
	V = 110 EPA
	X = 120 EPA

Sports Lighting Cross Arm Order Logic

Sports Lighting Cross Arms

Sports Lighting
Cross Arm

Color
1 = Black
2 = Grey
5 = Dark
Bronze

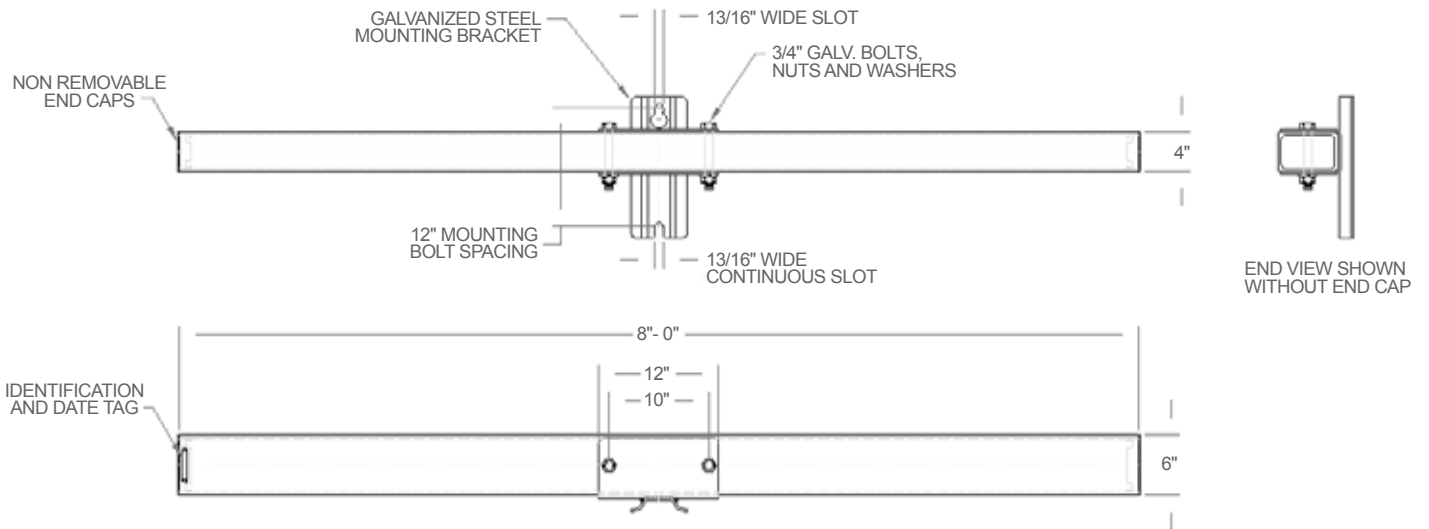
WLOPXA

8I

5

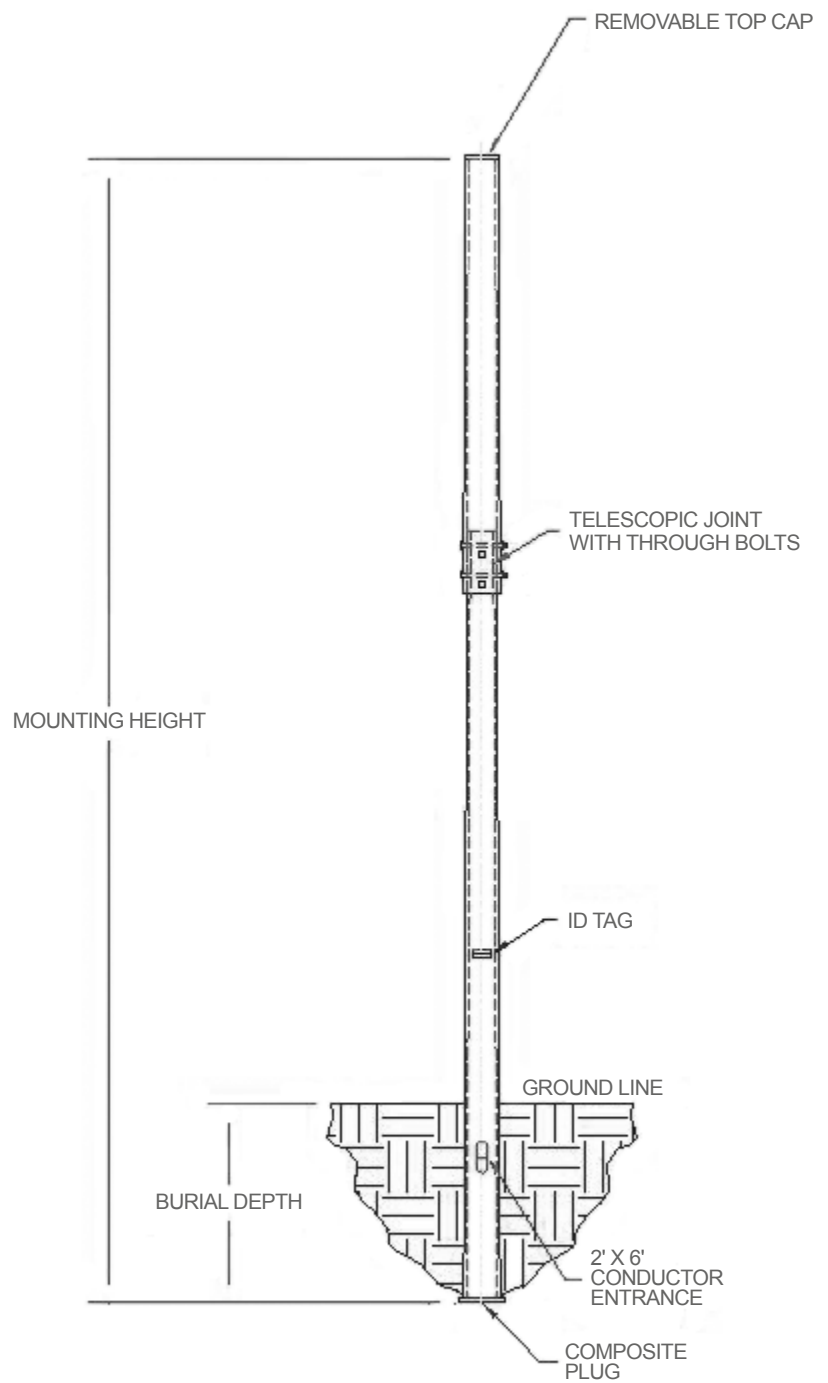
Cross Arm E.P.A.		Series	Length	Fixtures*
Length	EPA	2I	2'	1
2'	1.2	4I	4'	2
4'	2.4	6I	6'	3
6'	3.6	8I	8'	4
8'	4.8	10I	10'	5
10'	6.0	12I	12'	6
12'	7.2	* with 22" reflector		

Luminaire arrays are field installed.



Sports Lighting Systems

Solutions for Amateur Athletic Venues



Whatley offers a broad range of standard, decorative, and custom-engineered light poles and lamp posts. These high-quality composite structures are ideal for use in illuminating the space adjacent to sports venues, such as concession areas, parking lots, and roadways.

- Heavy duty composite crossarms available in 2' to 12' lengths to create lighting arrays
- Standard colors are black, bronze, and grey. For custom colors, consult factory
- Sturdy and durable, the poles are wrapped in a polyester veil for strength retention and weathering protection
- Poles will not rot or corrode, regardless of humidity
- Low maintenance over the life of the product
- Long lasting pole, with embedded UV inhibitors and anti-UV coatings
- Engineered for specific height and strength requirements
- Easy, fast installation with minimal heavy equipment needed



19845 US Highway 76
Newberry, SC 29108 USA
877.959.7678 | 803.276.5507

whatley.com